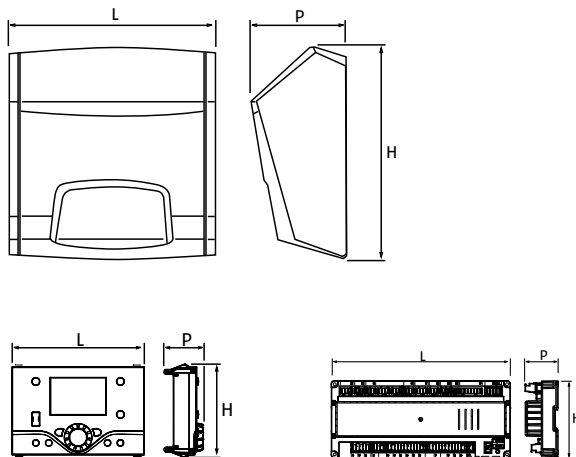


**RIELLOTECH CLIMA TOP**

**RIELLO**  
Energy For Life

# RIELLOtech Clima TOP



- RIELLOtech са специално разработени от Riello гама контролни системи за управление на всякакъв вид инсталации.

Description	H mm	L mm	P mm	Net weight kg
RIELLOtech CLIMA TOP	360	350	165	3
RIELLOtech CLIMA TOP	360	350	165	3
CLIMA TOP	120	280	50	1
CLIMA DISPLAY	95	140	50	1

RIELLOtech Clima Top control panel is designed for complex and multi-apartment systems. It can control 1-stage burner, 2-stage burner or a modulating burner. It controls one single generator or more generators in cascade application (in case of cascade applications, it is necessary to use a RIELLOtech Clima Top for each generator, while the maximum configuration consists of 16 generators); it controls complex solar systems and the integration of different kinds of heat generators. It can manage one direct zone and two mixed and/or direct zones, with room temperature control by means of a thermostat or an indoor probe (one per zone, not included in the control panel supply).

It allows an hour-programmable control of heating and DHW production.

One immersion probe and one external sensor are supplied as standard with RIELLOtech Clima Top.

All RIELLOtech Clima regulating systems can be connected via BUS.

IPX4D electrical protection.

- It is possible to personalise the control panel through programmable inputs and outputs (e.g. 0/10V input, generator anti-condensation pump)
- Frost protection, anti-blocking pump function and anti-legionnaires' disease protection
- Energy saving thanks to the system thermoregulation according to the external weather conditions
- Easy to program thanks to a user-friendly menu and a large display
- Quick to install: terminals and connectors, identifiable through silk-screen prints, are included in the supply
- Great flexibility of installation: they can be horizontally or vertically installed on the boilers or wall-mounted by means of a specific kit
- A specific version as main control panel for boiler-room is also available (in combination with Clima Display).

## ТЕХНИЧЕСКИ ХАРАКТЕРИСТИКИ

Тип	Код	Description	Notes
Control panel with climatic regulation - horizontal installation	4031065	RIELLOtech CLIMA TOP	(i)
Control panel with climatic regulation - vertical installation	4031070	RIELLOtech CLIMA TOP	(i)
Climatic regulation for electrical cabinet	20010902	CLIMA TOP	
User interface for electrical cabinet	20010906	CLIMA DISPLAY	

(i) Supplied as standard 1 immersion probe and 1 external sensor.

**ACCESSORIES**

Description	Code	Notes
Additional mixed zone control kit (programmable expansion kit)	20011194	(1)
RIELLOtech wall-hung installation kit (to be used only for vertical installation)	20010056	
Remote Control RC2 (programmable indoor probe)	4334410	
Indoor probe	20012456	
NTC immersion probe (10k ohm) - 5 metres	20010068	
NTC DHW-tank probe (10k ohm) - 5 metres	20010103	
Solar collector probe NTC (10k ohm)	4031913	
NTC clip probe (10k ohm)	20008753	
NTC external probe (10k ohm)	4047947	
Relais kit for modulating burner (for CLIMA TOP)	20013035	(2)

(1) It can be installed with RIELLOtech Clima TOP and MIX.

(2) Supplied as standard with RIELLOtech Clima TOP (codes 4031065 and 4031070).



**“Калория”**  
1220 София, ул. История славянобългарска № 8  
тел.: 831-11-30, 831-11-31 факс: 831-11-34  
GSM: 0898 45 15 05, 0878 91 33 14

[www.caloria.bg](http://www.caloria.bg); [riello@techno-link.com](mailto:riello@techno-link.com)

**RIELLO**